

# Yeostar S20 VoIP PBX

## Installation Guide



# Content

<b>Welcome .....</b>	<b>3</b>
<b>Before You Start .....</b>	<b>4</b>
Package Contents .....	4
Hardware Overview .....	4
LED Indicators and Ports .....	5
<b>Installation .....</b>	<b>7</b>
Safety Disclaimers and Installation Warnings.....	7
Module Installation.....	7
Desktop Installation .....	10
<b>Connecting the Equipment.....</b>	<b>11</b>
<b>Getting Started with the Configuration .....</b>	<b>12</b>

# Welcome

Thank you for choosing Yeastar S20 IP PBX. Yeastar S20 is a stand-alone telephone system offering an unrivalled range of features to small business with less than 20 users. It supports 10 concurrent calls and various combinations of telephony ports including FXS, PSTN, ISDN BRI, and GSM/3G.

This guide describes how to install the S20 and how to log in the web GUI to configure the system. Once you complete the installation, refer to the *Yeastar S-Series Administrator Guide* for instructions on how to perform configurations on the system.

## Related Documents

This Installation Guide only explains the installation of Yeastar S20 IPPBX. For more functionality and advanced settings, please refer to the relative documents as below:

Document	Description
Yeastar S-Series Datasheet	Datasheet for the Yeastar S-Series IPPBX.
Yeastar S-Series Administrator Guide	The administrator could refer to this manual for instructions on how to configure, operate, monitor, and maintain the Yeastar S20 IPPBX.
Yeastar S-Series Extension User Guide	Users could refer to the guide for instructions on how to login the user portal, and how to configure their accounts, listen to call recordings, check voicemail messages, etc.

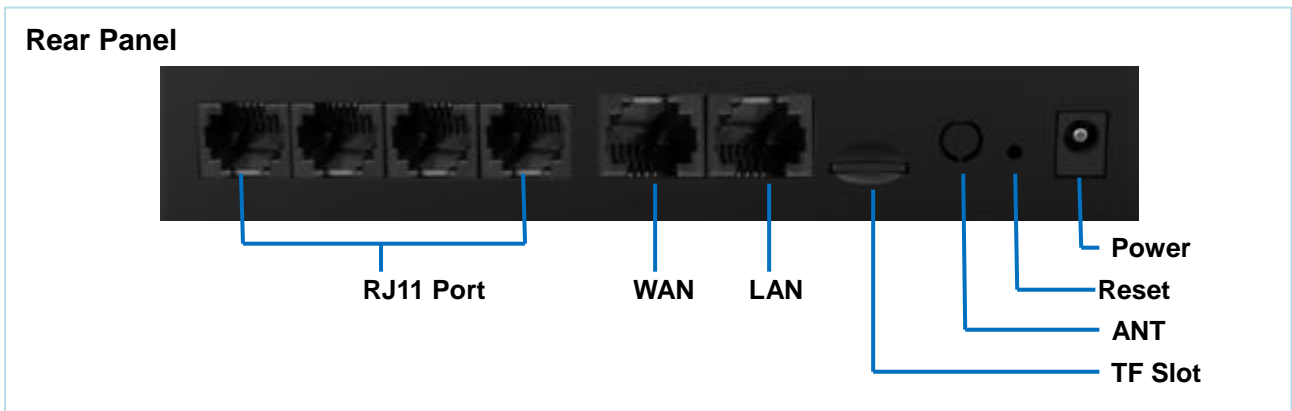
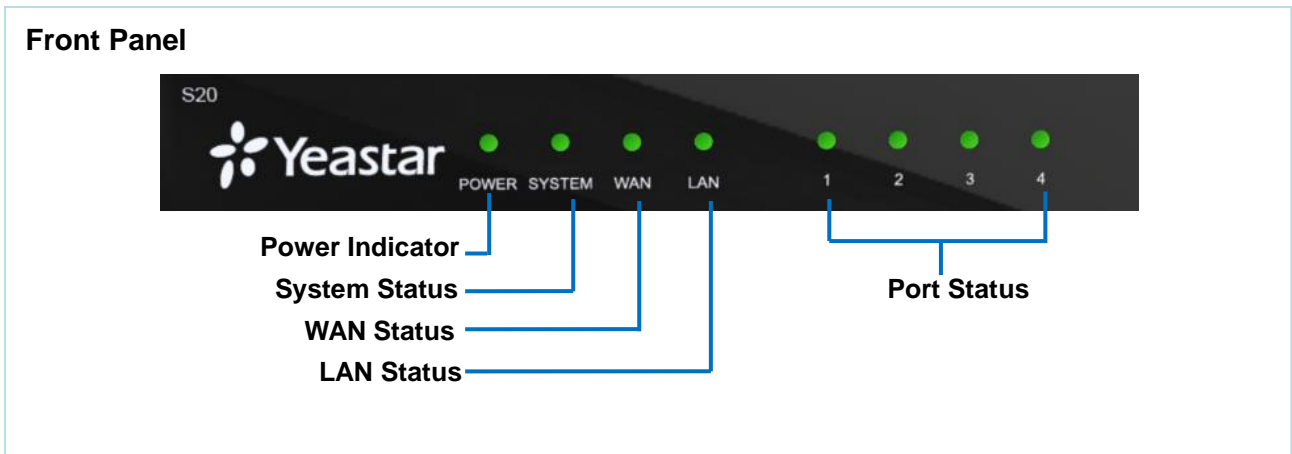
# Before You Start

Before you begin to install the S20 IP Phone System, please check the package contents to verify that you have received the items below. If there is any problem, please contact your provider.

## Package Contents

1* S20 PBX	1* Power Adapter	1* Network Cable
2* Telephony Line	4* Rubber Feet	1* Warranty Card
1* Quick Installation Guide		

## Hardware Overview



## LED Indicators and Ports

### LED Indicators

LED	Indication	Status	Description
POWER	Power status	On	The power is switched on
		Off	The power is switched off
System	System status	Blinking	The system is running properly
		Static/Off	The system goes wrong
WAN	WAN status	Static	Linked normally.
		Blinking	In communication.
		Off	Off-line.
LAN	LAN status	Static	Linked normally.
		Blinking	In communication.
		Off	Off-line.
Port Status	FXS	Green light	<ul style="list-style-type: none"> <li>Static: The port is idle.</li> <li>Blinking: There is an ongoing call on the port.</li> </ul>
	GSM/CDMA/3G	Red light	<ul style="list-style-type: none"> <li>Static: the trunk is idle.</li> <li>Blinking slowly: there is no SIM card inserted.</li> <li>Blinking rapidly: the trunk is in use.</li> </ul>
	BRI	Orange light	<ul style="list-style-type: none"> <li>Blinking slowly: the BRI line is disconnected.</li> <li>Static: the BRI line is connected or in use.</li> </ul>
	FXO	Red light	<ul style="list-style-type: none"> <li>Blinking slowly: no PSTN line is connected to the port.</li> <li>Static: the PSTN line is idle.</li> <li>Blinking rapidly: the PSTN line is busy.</li> </ul>

### Port Description

Ports	Description
RJ11 Port	<p><b>FXO port</b> (red light): for the connection of PSTN lines or FXS ports of traditional PBX.</p> <p><b>FXS port</b> (green light): for the connection of analog phones.</p> <p><b>BRI port</b> (orange light): for the connection of ISDN BRI lines.</p> <p><b>Note:</b> the sequence number of the ports corresponds to that of the Indicator lights in the front panel. (I.e. the LED lights in the front indicate the connection status of the corresponding ports at the front panel.)</p>
ANT	Rotate the antenna into the Antenna Socket.
TF Slot	Insert TF card.

Ethernet Port	<p>Yeastar S20 provides two 10/100M adaptive RJ45 Ethernet ports. There are 2 Ethernet modes for the system. The default mode is "Bridge".</p> <ul style="list-style-type: none"><li>• <b>Bridge:</b> LAN port interface will be used for uplink connection. WAN port interface will be used as bridge for PC connection.</li><li>• <b>Dual:</b> both ports can be used for uplink connection.</li></ul>
Reset Button	Press and hold for 10 seconds to restore the factory defaults.
Power Inlet	Connect the supplied power supply to the port.

# Installation

---

This chapter shows you how to install Yeastar S20 IP phone system.

## Safety Disclaimers and Installation Warnings

To avoid unexpected accident, personal injury or device damage, please read the safety disclaimers and installation warnings.

### Power

- Use only the power adapter provided with the IP PBX.
- Keep the power off during the installation.
- Make sure that the supply voltage matches the specifications indicated on the back panel of the device.
- To avoid the electric accident, do not open or remove the cover of IP PBX when it is working as well as off the power.
- Before cleaning the device, cut off the power supply.

### Environment

Install the Yeastar S20 IP PBX in a location that is clean, free from vibration, electric shock, and temperature/humidity extremes. The operating temperature should be kept below 104°F (40°C).

## Module Installation

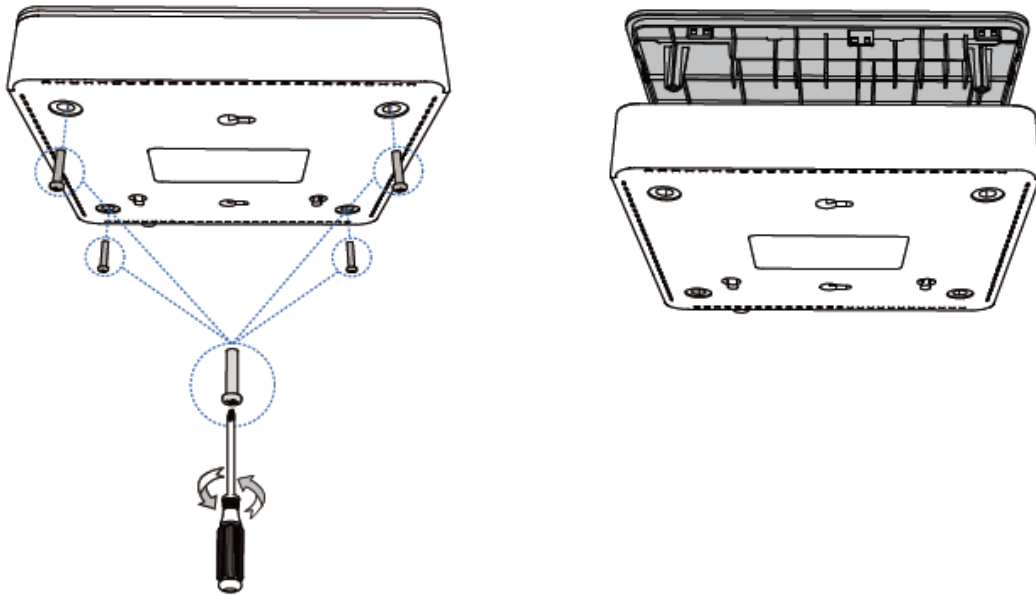
Yeastar S20 supports installing up to 2 modules. The optional modules are as below:

- S2 Module
- O2 Module
- B2 Module
- SO Module
- GSM Module
- CDMA Module
- 3G Module

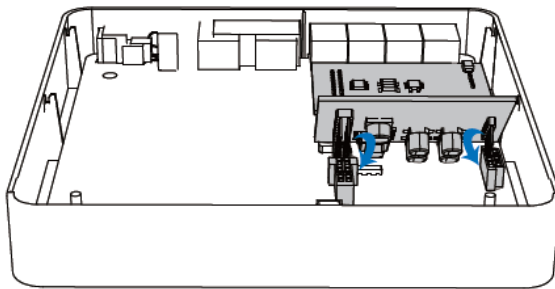
### **NOTE**

Before installing the module, please check if the module is clean and intact.

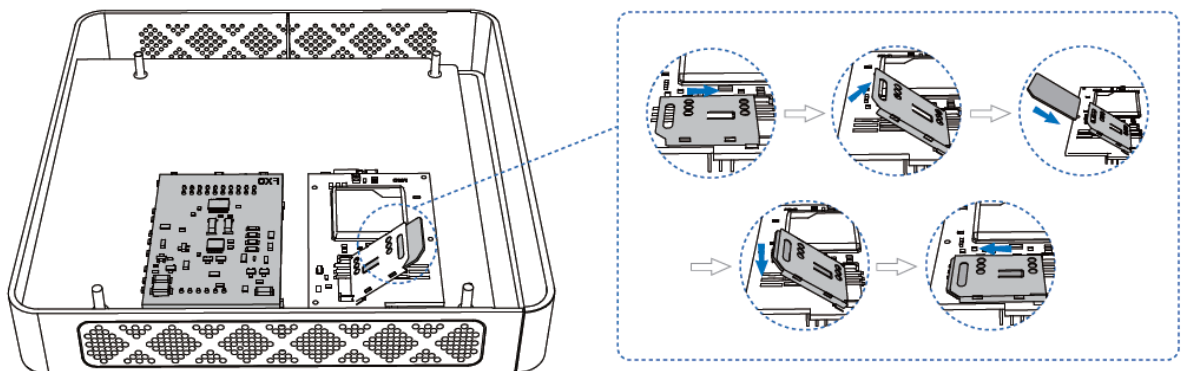
**STEP 1** Loosen the screws on the bottom of the device and remove the upper cover.



**STEP 2** Insert the module to the Module Slot.

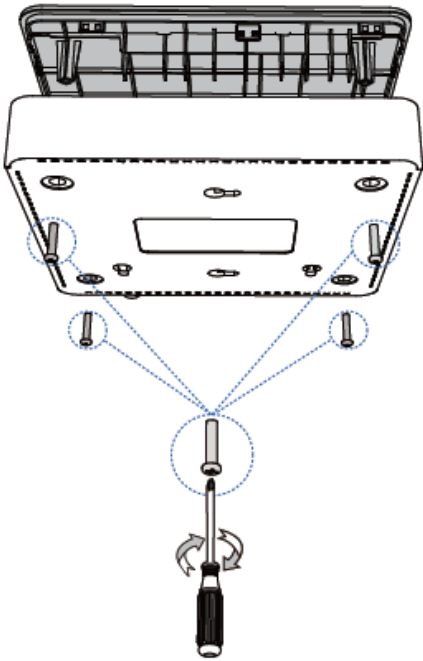


**STEP 3** Insert a SIM card on the GSM/CDMA/3G module following the instructions. Skip this step if no GSM/CDMA/3G module installed.

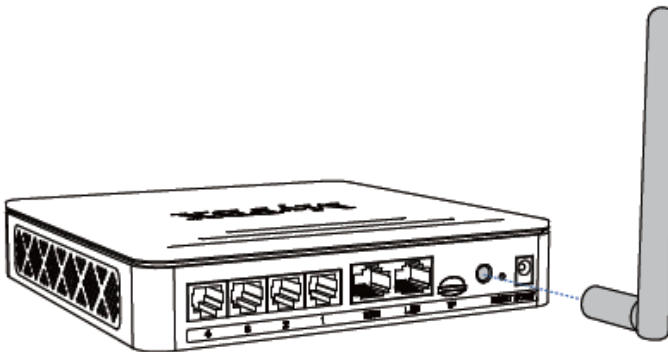




**STEP 4** Close the cover and fix the screws.



**STEP 5** Rotate the antenna into the Antenna Socket. Skip this step if no GSM/CDMA/3G module installed.



## Desktop Installation

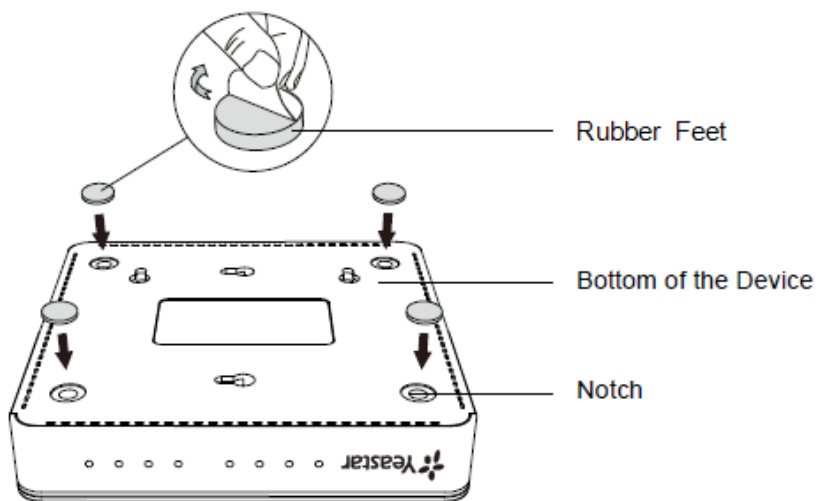
### **WARNING**

- Please set 5~10cm gaps around the device for air circulation.
- Please avoid any heavy thing placed on the device.

**STEP 1** Place the IP PBX on a steady platform.

**STEP 2** Remove the adhesive backing paper from the rubber feet.

**STEP 3** Turn over the device and attach the supplied rubber feet to the recessed areas on the bottom at each corner of the device.



## Connecting the Equipment

---

**STEP 1** Connect one end of a network cable to the LAN port of Yeastar S20, and the other end to any port of your company's LAN switch/router.

**STEP 2** Connect the telephony line to the RJ11 port of the IP PBX.

RJ11 Port	Description
FXS	Connect one end of a RJ11 phone cable to the port. Connect the other end to the analog phone or fax machine.
FXO	Connect an RJ11 cable to the FXO port. Connect the other end of the cable to a PSTN line.
BRI	Connect the cable provided by the ISDN BRI provider to the BRI port. Connect the other end of the cable to the ISDN provider equipment.

**STEP 3** Plug the provided power adapter into the power jack on S20 and the other end to a standard electrical wall socket. Wait for the system to boot up till the SYSTEM LED starts to blink.

### **NOTE**

Connect BRI/PSTN/analog phone/fax machine to the corresponding port based on the color of port indicator.

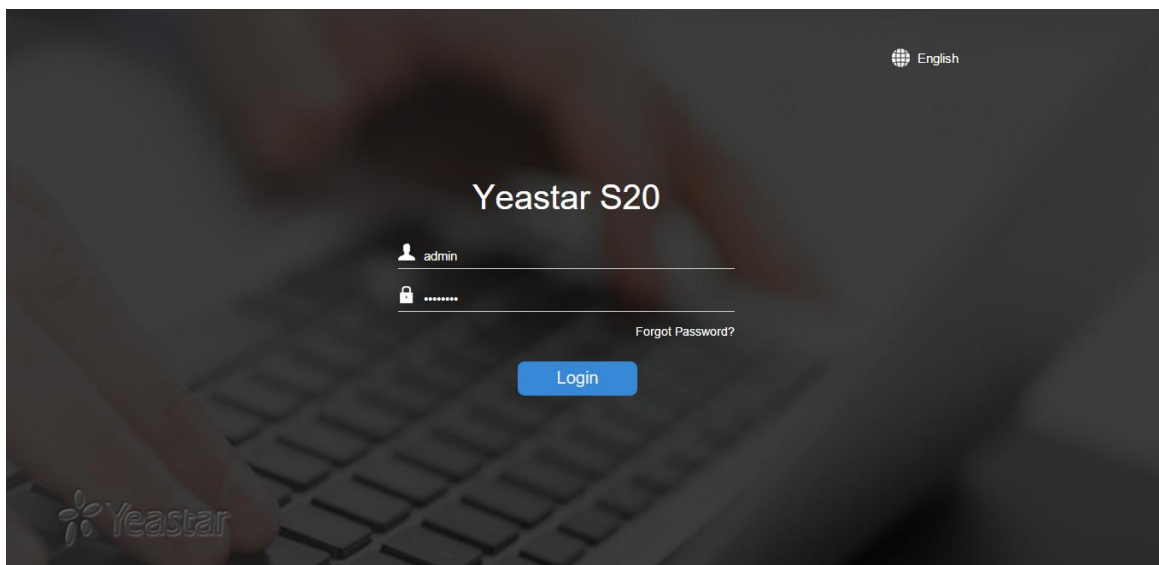
# Getting Started with the Configuration

Yeastar S20 IP Phone System provides web-based configuration interface for administrator. The administrator can manage the device by logging in the Web interface.

- **Access path:** https://192.168.5.150:8088
- **User Name:** admin
- **Password:** password

**STEP 1** Connect your PC to the same network as Yeastar S20.

**STEP 2** Start the browser on PC. In the address bar, enter the IP address, click “Enter” key and then you can see the web GUI login page shows as below.



**STEP 3** For the detailed configurations of extensions, trunks and other system settings, please refer to the manual *Yeastar S-Series Administrator Manual*.

## **NOTE**

After saving the changes, remember to click the “Apply” button at the top-right corner to make the changes take effect.

[END]